

Frog King HH1103-202



Age group:
4 - 15 years



Number of users:



Dimensions of construction:

l= 8,80 m
w= 4,20 m
h= 4,00 m



Risk of fall: 200 cm



EN 1176-1 : 2008



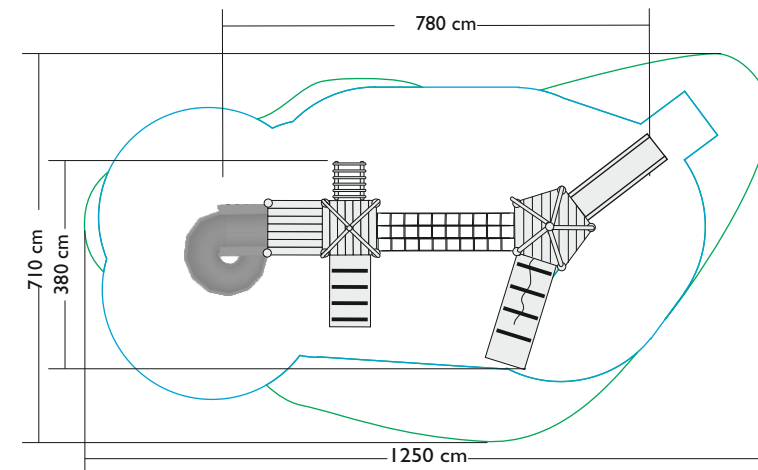
Grass or cultivated
gravel - 25m²



Impact material suitable for the
risk of fall up to 2m - 55m²



- material: wood - Robinia/Oak
- connecting materials: galvanized steel
- nets from ropes with steel core



HŘIŠTĚ HROU s.r.o.

Hřiště hrou s.r.o.
Sobotecká 810, Turnov 511 01, Česká republika
www.hristehrou.cz ; info@hristehrou.cz
tel.: +420 733 141 242 ; IČ 036 73 073