

Cableway HHIF00-001



Age group:
6 - 15 years



Number of users:



Dimensions of construction:

l= 18,0 m
w= 2,60 m
h= 3,30 m



Risk of fall: 100 cm



EN 1176-4 : 2008



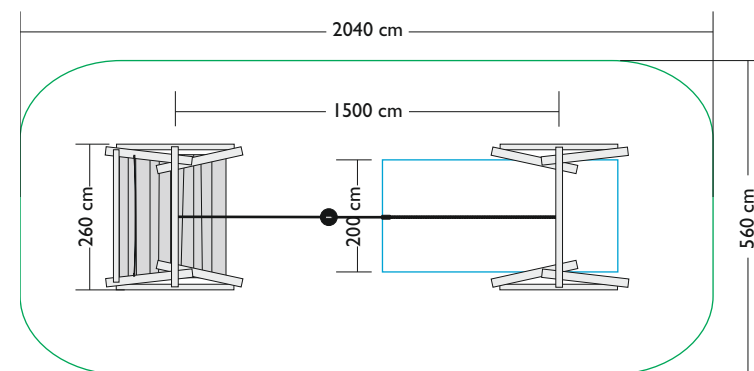
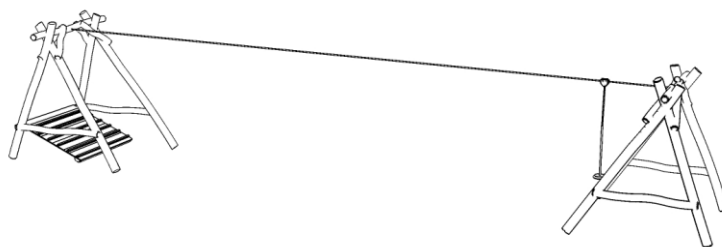
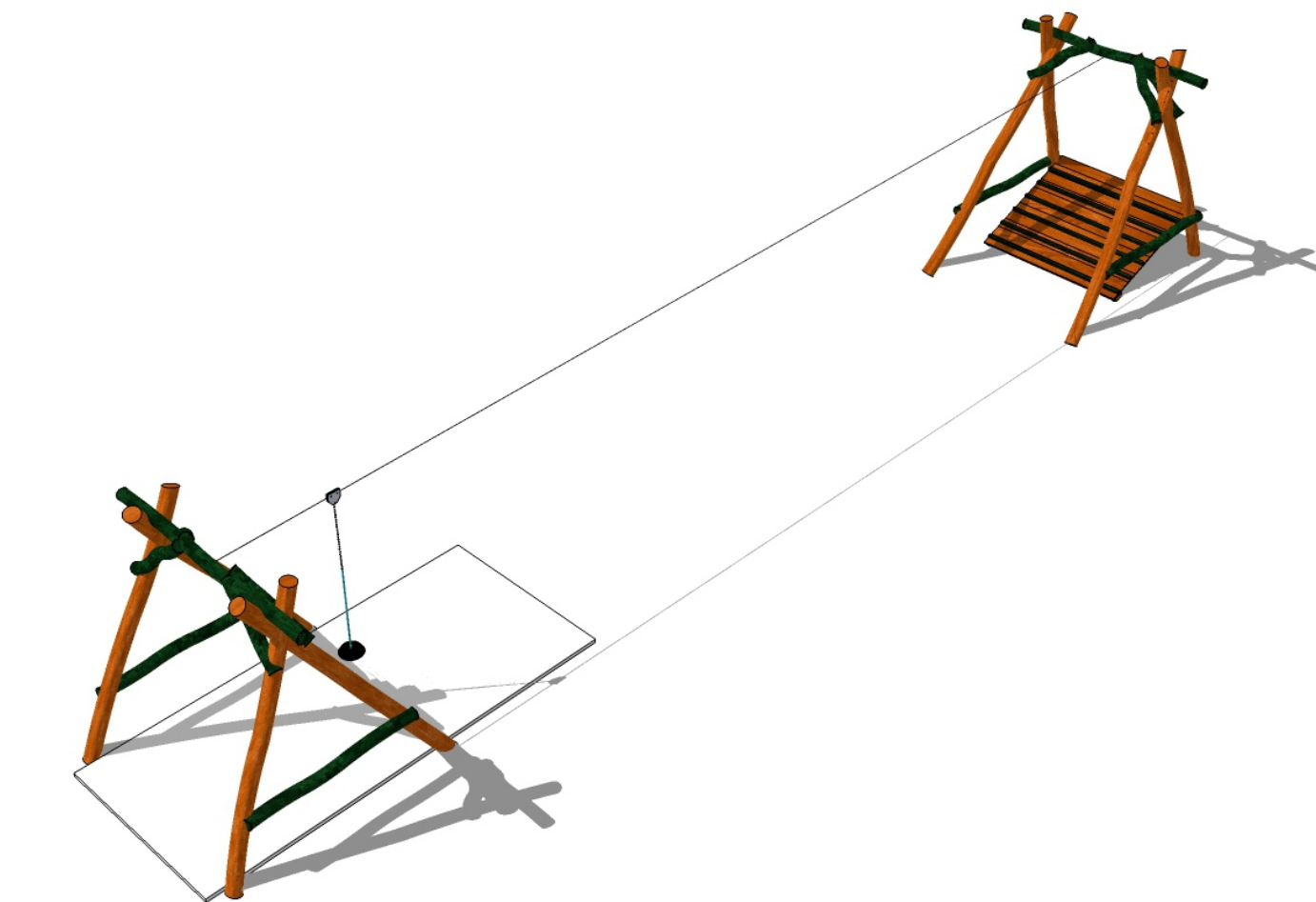
Grass or cultivated
gravel - 104m²



Impact material suitable for
the risk of fall up to 2m -
8m²



- material: wood - Robinia/Oak
- connecting materials: galvanized steel
- stainless components



HŘIŠTĚ HROU s.r.o.

Hřiště hrou s.r.o.
Sobotecká 810, Turnov 511 01, Česká republika
www.hristehrou.cz ; info@hristehrou.cz
tel.: +420 733 141 242 ; IČ 036 73 073