

# Double Tower Slide & Bridge 2 HH1103-203



Age group:  
4 - 15 years



Number of users:



Dimensions of construction:

l= 7,20 m  
w= 1,40 m  
h= 3,20 m



Risk of fall: 195 cm



EN 1176-1 : 2008



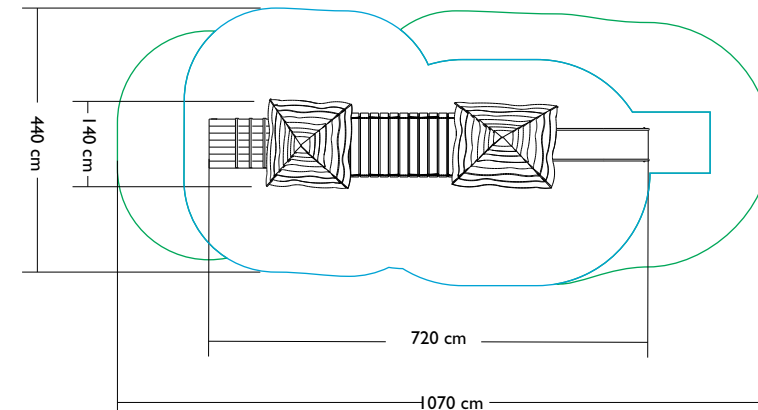
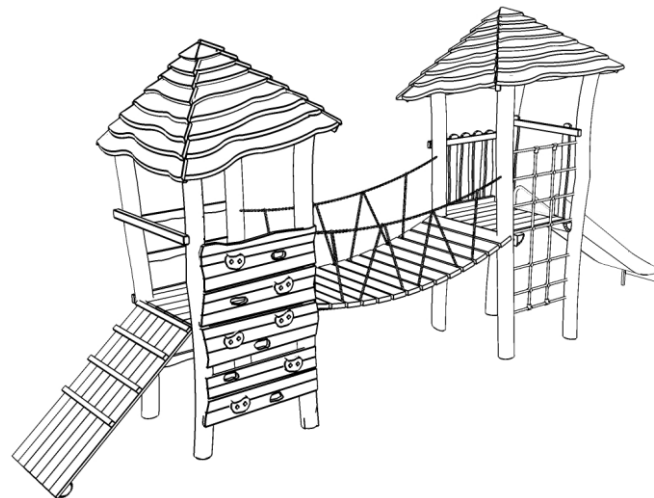
Grass or cultivated  
gravel - 13m<sup>2</sup>



Impact material suitable for the  
risk of fall up to 2m - 29m<sup>2</sup>



- material: wood - Robinia/Oak
- connecting materials: galvanized steel
- stainless components



**HŘIŠTĚ HROU s.r.o.** 

Hřiště hrou s.r.o.  
Sobotecká 810, Turnov 511 01, Česká republika  
www.hristehrou.cz ; info@hristehrou.cz  
tel.: +420 733 141 242 ; IČ 036 73 073