

EDUCATING HOUSE

HH1A01-002

Age group:
3 - 10 years



Number of users:



Dimensions of construction:

l= 4,20 m
w= 4,35 m
h= 2,50 m



Risk of fall: 0 cm



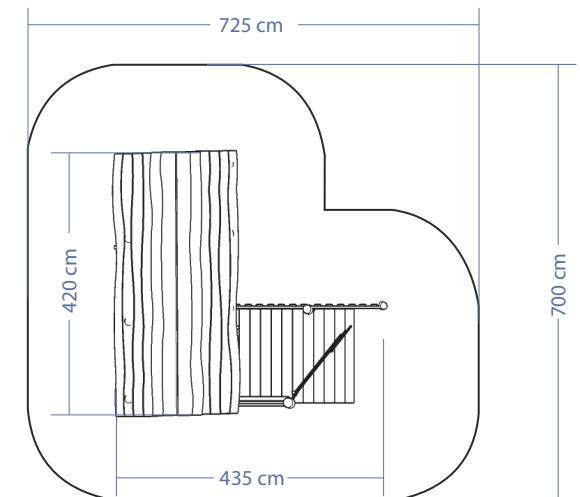
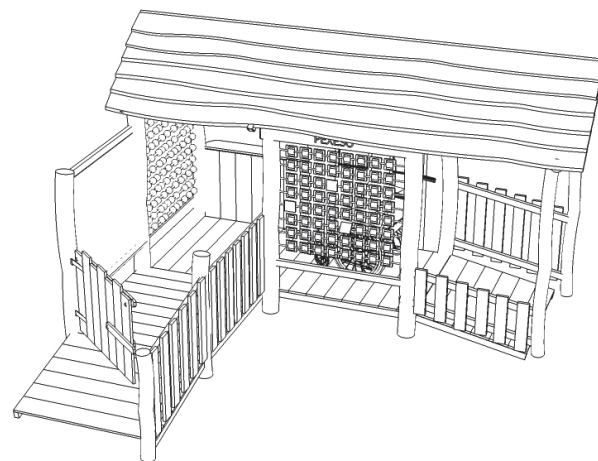
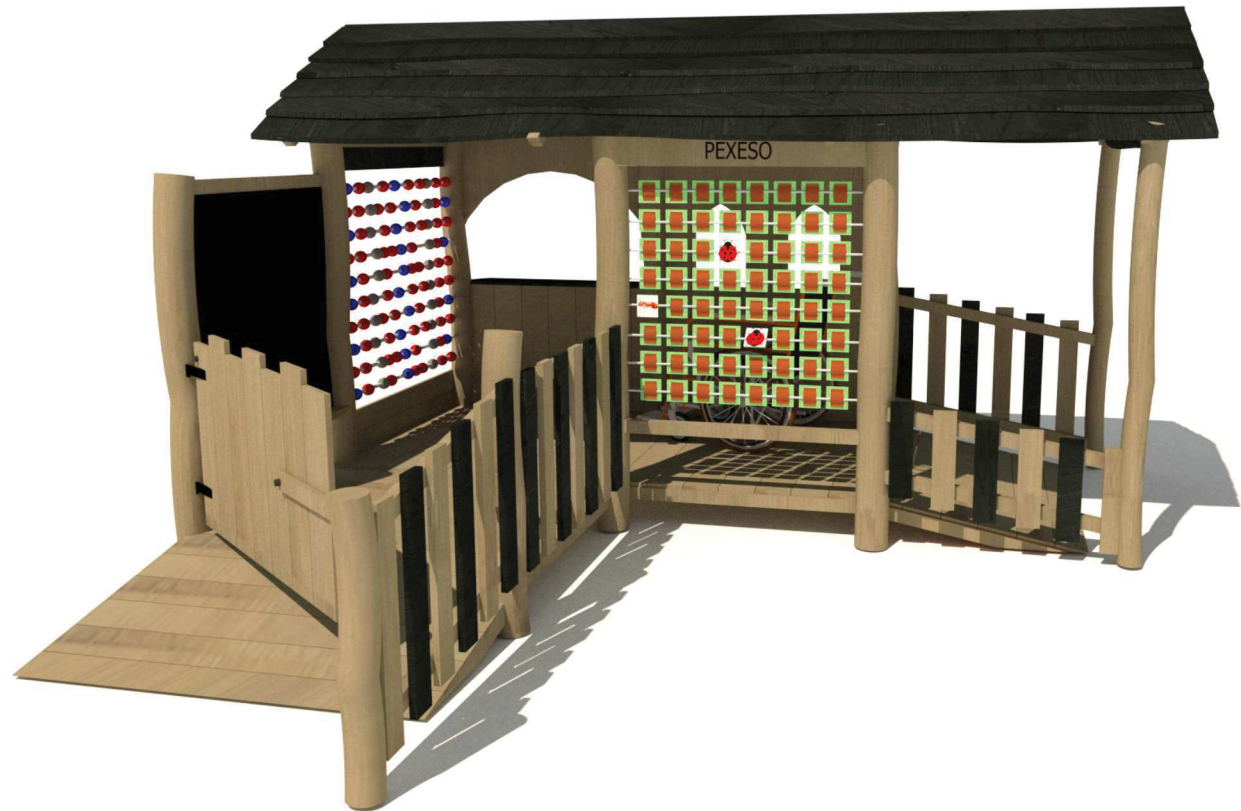
EN 1176-1 ed. 2 : 2018



Free area without the need of impact
zone - 42 m²



- material: wood: robinia / oak
- connecting material: galvanized steel
- plywood water resistant painting board



Hřiště hrou s.r.o
Sobotecká 810, Turnov
511 01, Česká republika

(+420) 7 33 141 242
info@hristehrou.cz
www.hristehrou.cz

**hřiště
hrou®**