

# Street Workout

## Set I



HH2D00-009

Age group:  
15 + years



Number of users:



Dimensions of construction:

l= 10,0 m  
w= 4,10 m  
h= 3,40 m



Risk of fall: 230 cm



Grass or cultivated gravel -  
68m<sup>2</sup> - in playground



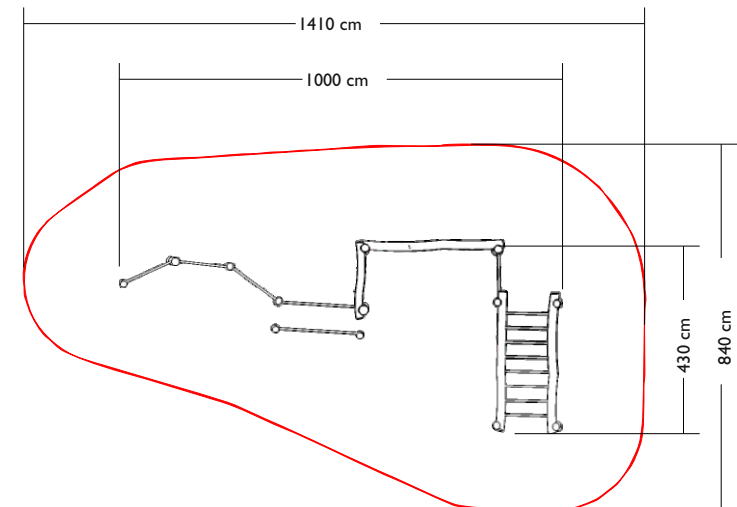
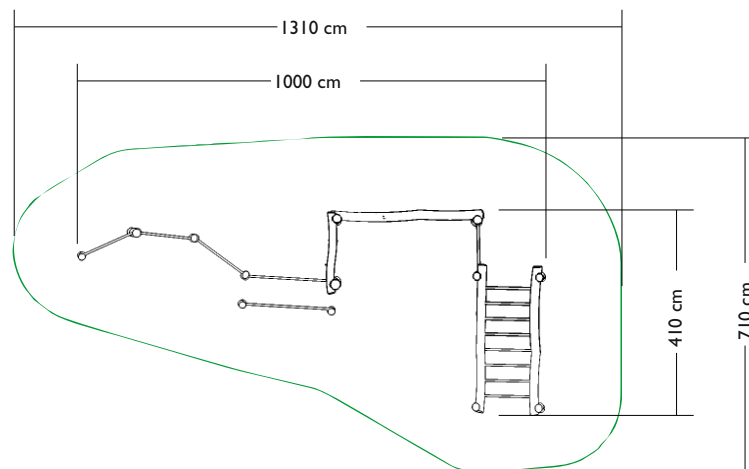
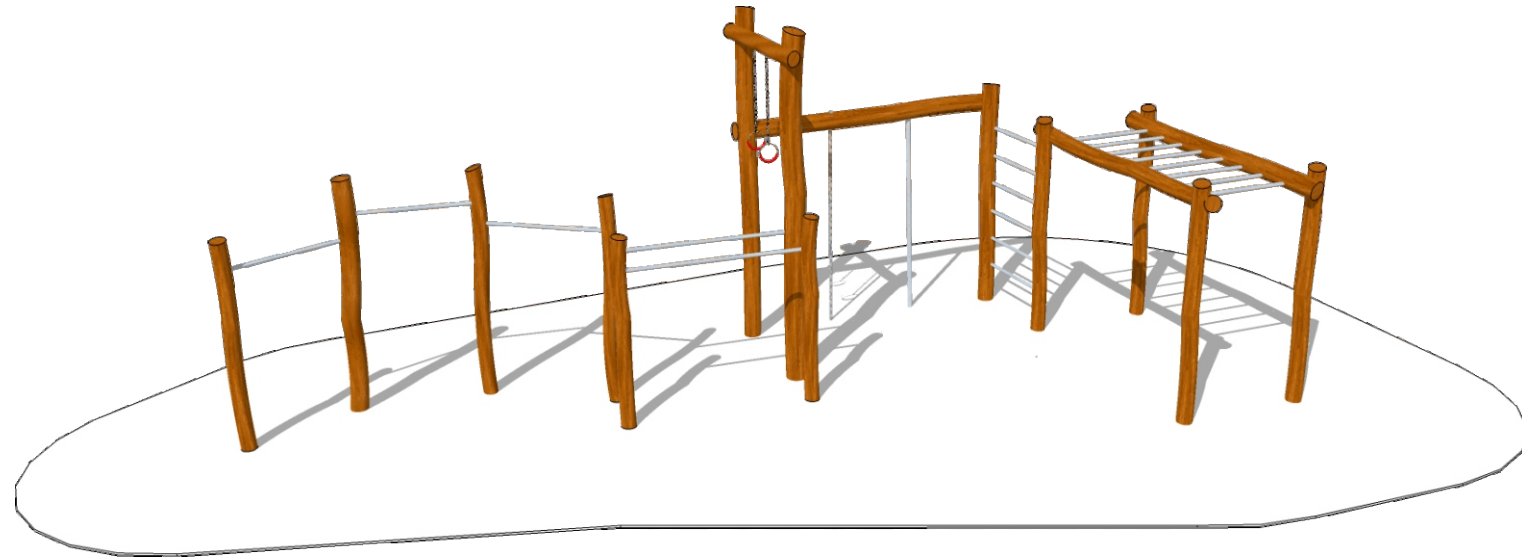
Impact material suitable for  
the risk of fall up to 3m -  
88m<sup>2</sup> - in playground



EN 1176-1 : 2008



- material: wood - Robinia/Oak
- connecting materials: galvanized steel
- stainless components
- tripple trapeze
- bars
- circles
- climbing rope
- climbing pole
- ladders



**HŘIŠTĚ HROU s.r.o.**

Hřiště hrou s.r.o.  
Sobotecká 810, Turnov 511 01, Česká republika  
www.hristehrou.cz ; info@hristehrou.cz  
tel.: +420 733 141 242 ; IČ 036 73 073