

SEESAW FOR DISABLED CHILDREN

HH1C03-002

Age group:
3 - 15 years



Number of users:



Dimensions of construction:

l= 8,00 m
w= 1,60 m
h= 1,70 m



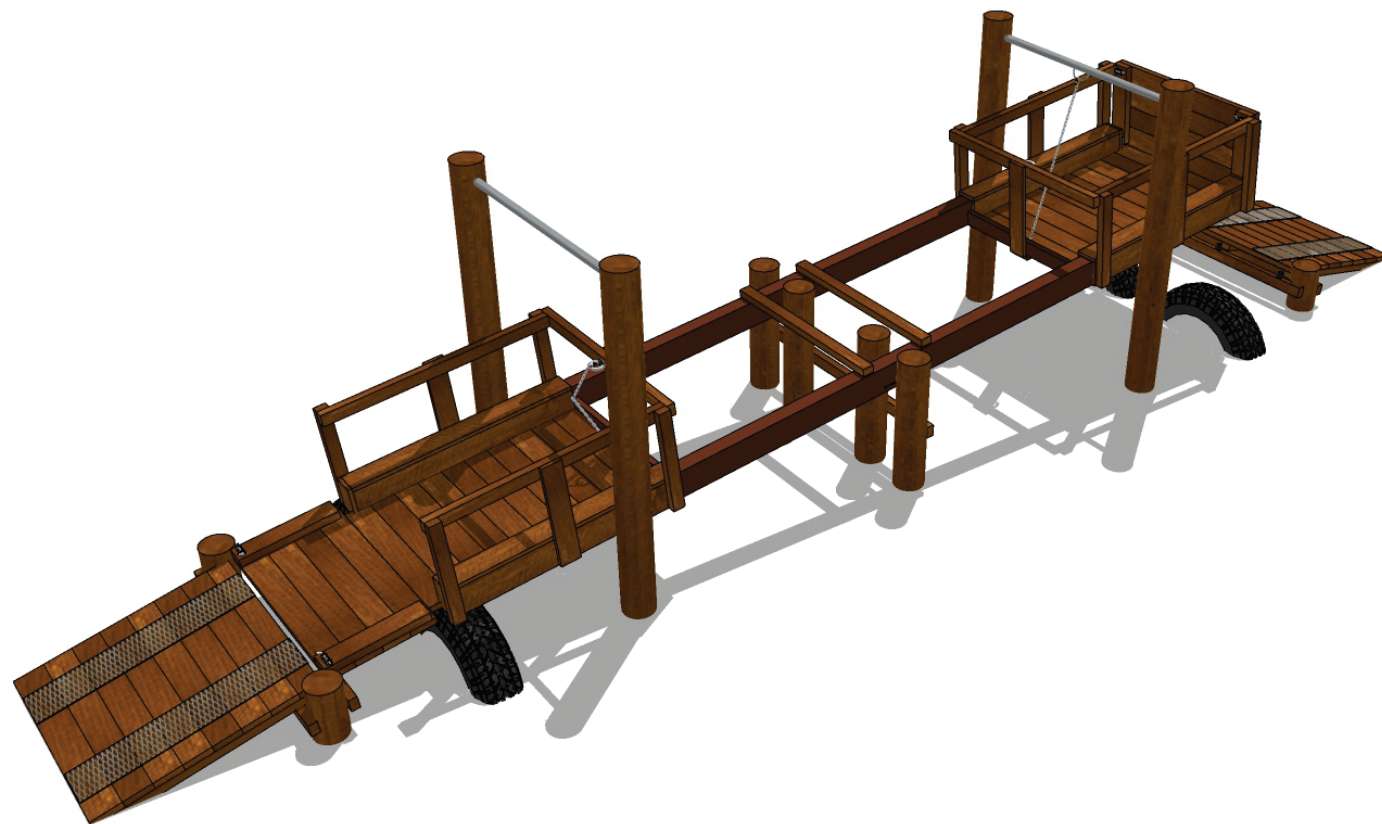
Risk of fall: 100 cm



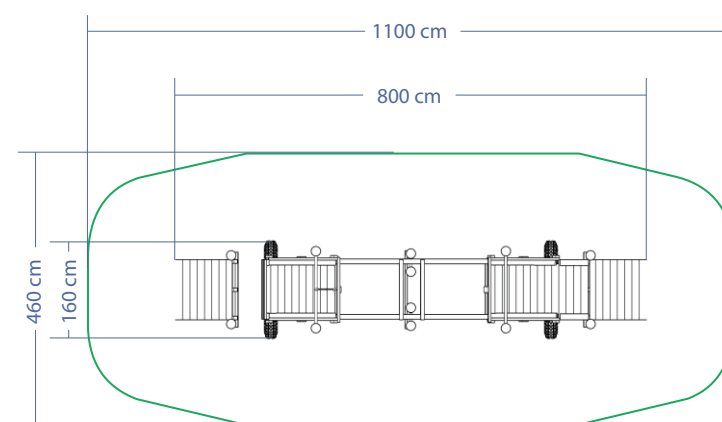
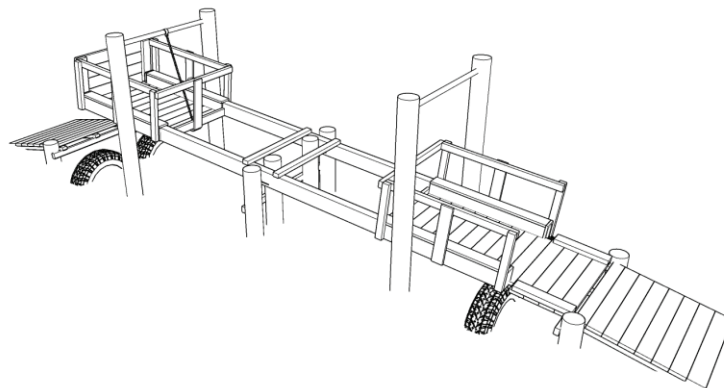
EN 11 76-1 ed.2 : 2018



Grass or compacted gravel
area - 48,5 m²



- material: wood: robinia / oak
- connecting material: galvanized steel
- stainless steel components



Hřiště hrou s.r.o
Sobotecká 810, Turnov
511 01, Česká republika

(+420) 7 33 141 242
info@hristehrou.cz
www.hristehrou.cz

**hřiště
hrou**