

TECHNICAL DATA:

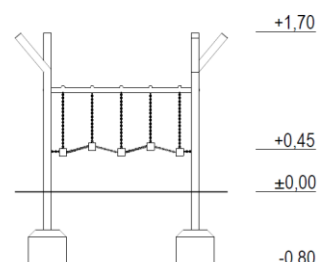
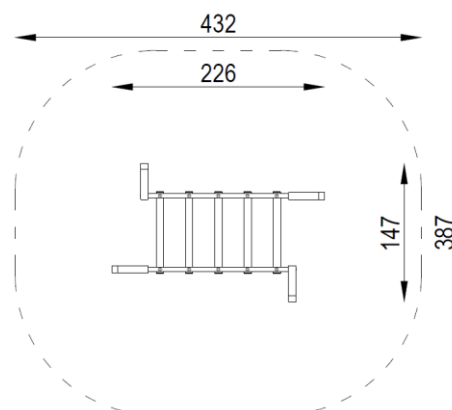
Not easily accessible device,
according to standard EN 1176-1:2017

Device dimensions:	2,26 x 1,47m
Device height:	1,70m
Minimum space:	4,32 x 3,87m
Falling area:	14,79m ²
Critical fall height:	0,60m
Foundations depth:	-0,80m

The device according to EN 1176-1:2017
Playground equipment and surfacing – Part 1:
General safety requirements and test methods

Safety surfaces:
- paved, turf / topsoil, sand, gravel, bark, synthetic surface
- minimal thickness for loose particulate materials 200+100mm
- synthetic surface according to critical fall height

Top view with falling area



COMPONENTS:

Supporting structure 1 set
Moving beams 5 pcs

MATERIALS:

Construction poles: steel profiles, galvanized,
powder coated in gray
Beams: steel profiles, galvanized,
powder coated in green,
galvanized chain
Caps: plastic
Foundations: concrete min. C12/15 standard



SATERNUS DISTRIBUTION Sp. z o.o. sp.k.
ul. Nowa 32
41-500 Chorzów, Poland

Certificate beholder:
Producer:
Distributor:

GRUPA SATERNUS Sp. z o.o. S. K. A. reserves all rights to protect copyright under the Act of February 4, 1994 on Copyright and Related Rights (Journal of Laws No. 28, item 83), and in particular Art. 78 and 79 of this Law.

GRUPA SATERNUS Sp. z o.o. S. K. A.
Saternus Production Sp. z o.o. sp. k.
Saternus Distribution Sp. z o.o. sp. k.