

# SPRINGER LIZARD

HH1C02-103

Age group:  
3 - 10 years



Number of users:



Dimensions of construction:

l= 1,30 m  
w= 0,50 m  
h= 0,90 m



Risk of fall: 100 cm



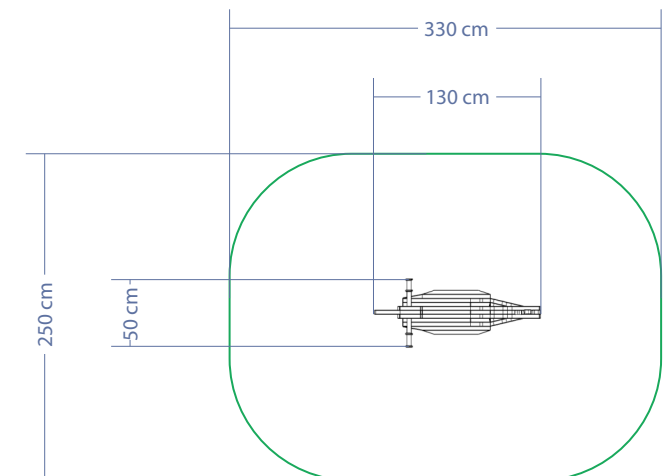
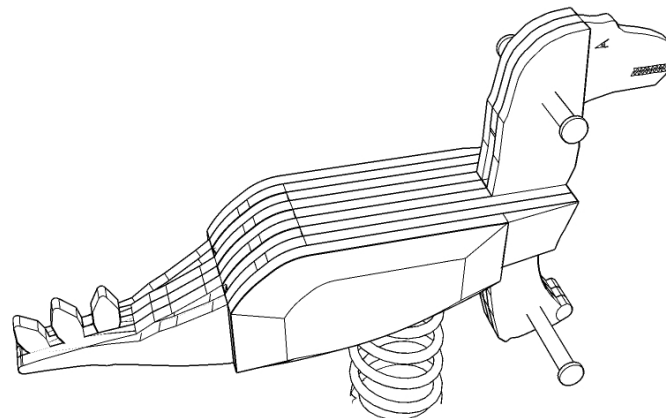
EN 1176-6 ed. 2 : 2018



Grass or compacted gravel  
area - 7,5 m<sup>2</sup>



- material: wood: robinia / oak
- connecting material: galvanized steel
- steel spring with surfacing modification



Hřiště hrou s.r.o.  
Sobotecká 810, Turnov  
511 01, Česká republika

(+420) 7 33 141 242  
info@hristehrou.cz  
www.hristehrou.cz

**hřiště  
hrou**