

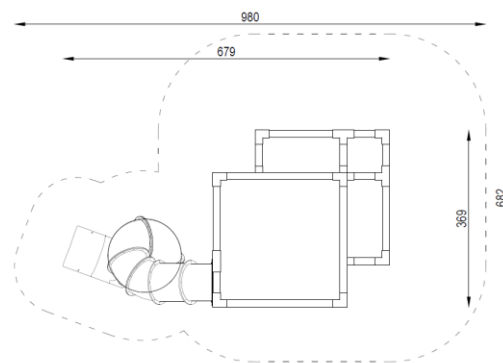


**TECHNICAL DATA:**

Not easily accessible device,  
according to standard EN 1176-1:2017

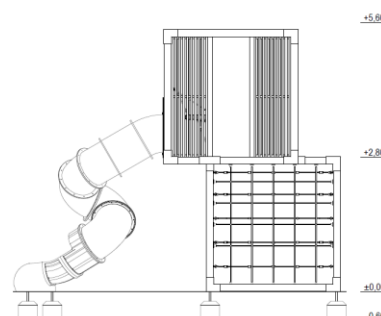
Device dimensions:	6,79 x 3,69m
Device height:	5,60m
Minimum space:	9,80 x 6,82m
Falling area:	51,85m <sup>2</sup>
Critical fall height:	2,20m
Foundations depth:	-0,60m

**Projection and device view**



The device according to EN 1176-1:2017  
Playground equipment and surfacing – Part 1:  
General safety requirements and test methods

- Safety surfaces:
- sand, gravel, bark, synthetic surface
  - minimal thickness for loose particulate materials 300+100mm
  - synthetic surface according to critical fall height

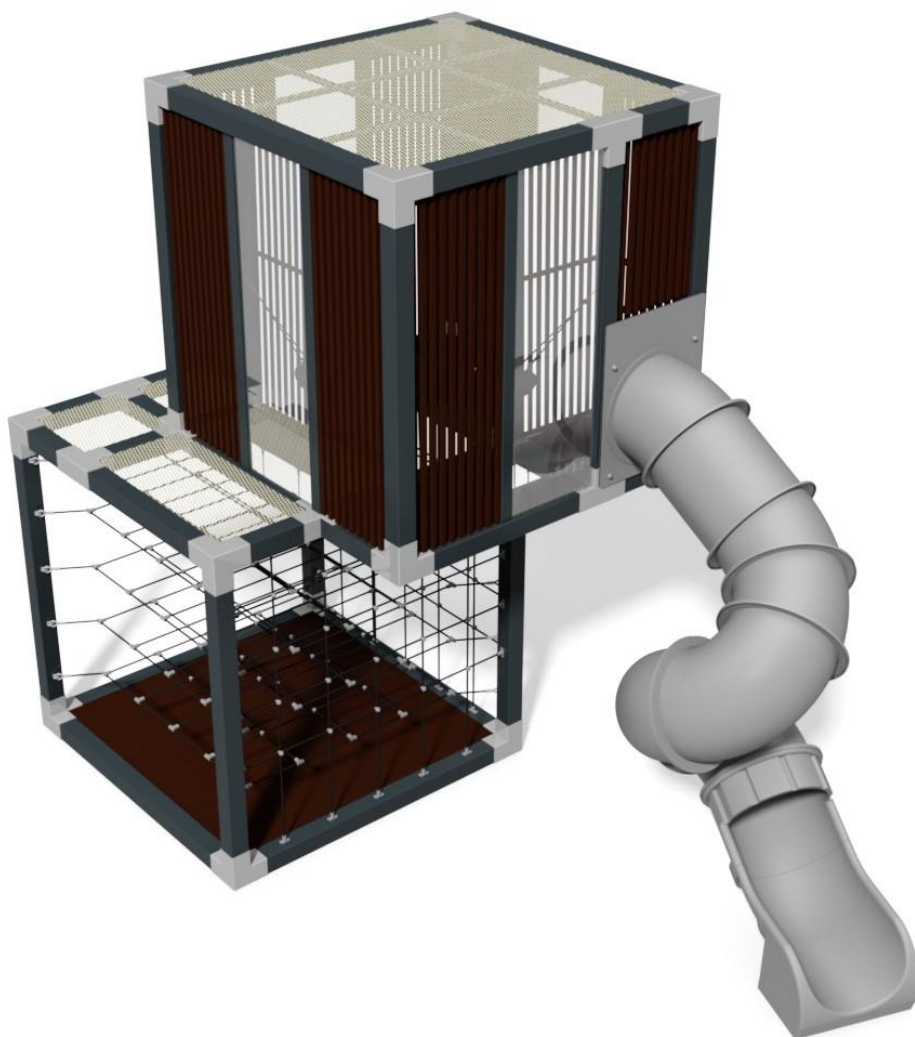


## COMPONENTS:

Cube tower	2 pcs
Spiral slide	1 pc
Vertical ropenet	2 pcs
Horizontal ropenet	5 pcs
„Nest” seat	1 pc

## MATERIALS:

Construction poles:	steel profiles, galvanized, powder coated
Anchors:	galvanized steel
Platforms:	waterproof plywood with anti-skid surface
Steel elements:	galvanized steel, powder coated
Slide:	rotomolded plastic
Ropes:	polypropylene braided with a steel, interconnected by plastic fasteners
Protective filling:	composite, polycarbonate, aluminum net
Seat:	braided polypropylene ropes
Caps:	plastic
Foundations:	concrete min. C12/15 standard



GRUPA SATERNUS S.A.  
ul. Nowa 32  
41-500 Chorzów, Poland

Certificate beholder:  
Producer:  
Distributor:

GRUPA SATERNUS S.A. reserves all rights to protect copyright under the Act of February 4, 1994 on Copyright and Related Rights (Journal of Laws No. 28, pc 83), and in particular Art. 78 and 79 of this Law.

GRUPA SATERNUS S.A.  
Saternus Production Sp. z o.o. sp. k.  
Saternus Distribution Sp. z o.o. sp. k.