

# BASIC SEESAW

HH1C03-004

Age group:  
3 - 15 years



Number of users:



Dimensions of construction:

l= 4 ,00 m  
w= 0,60 m  
h= 0,80 m



Risk of fall: 100 cm



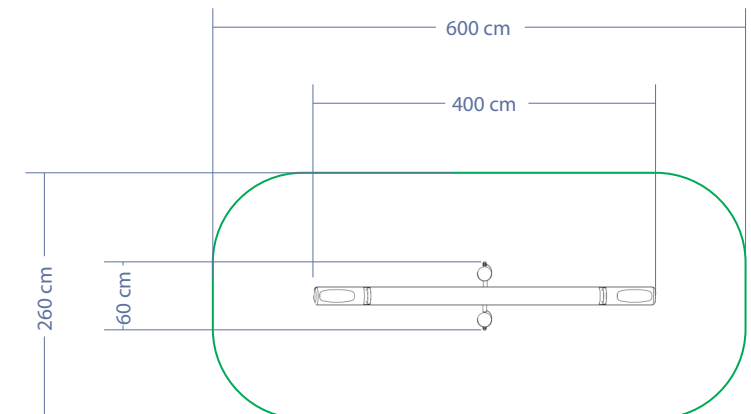
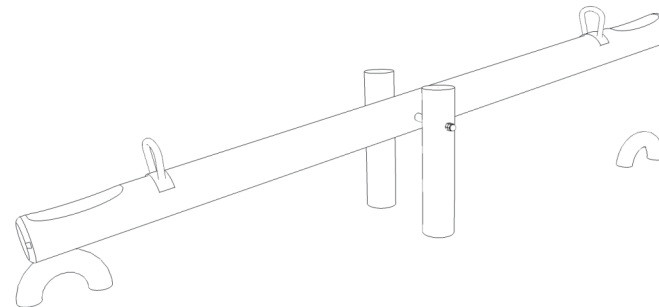
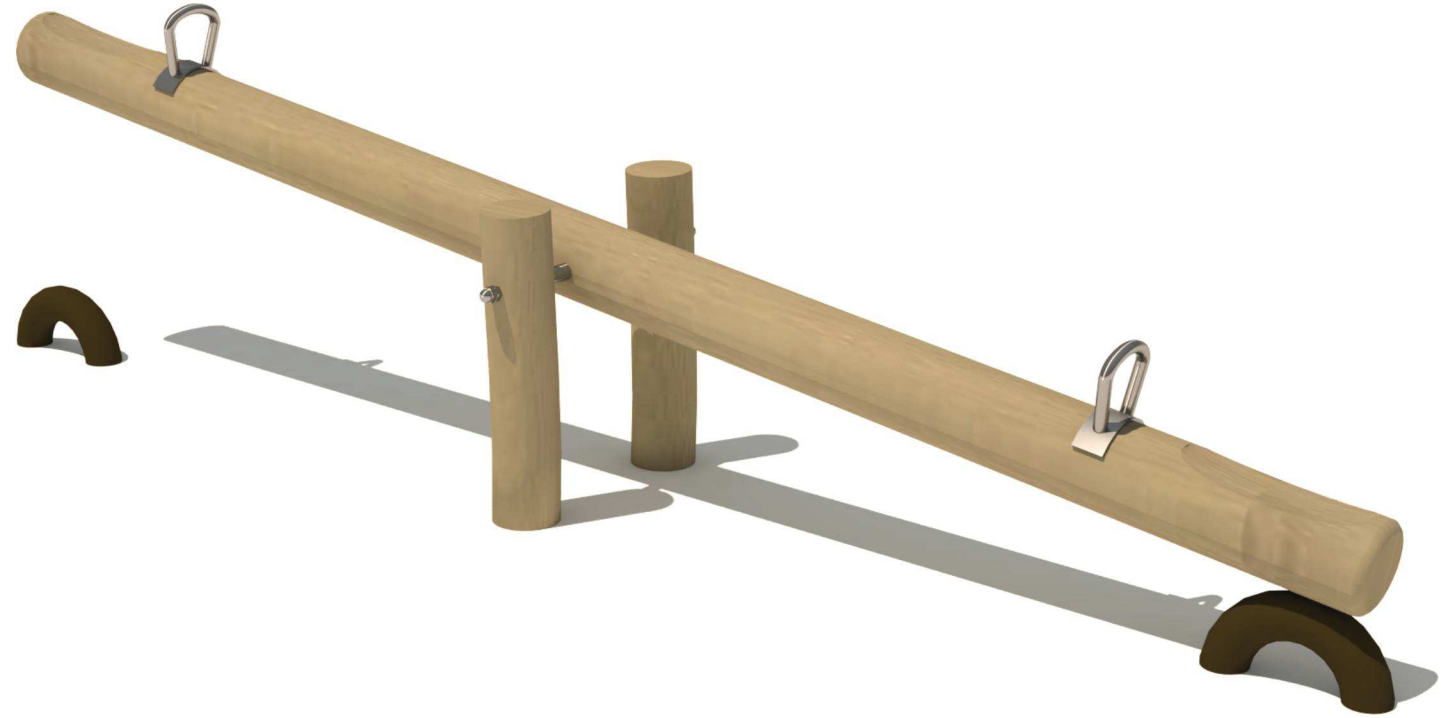
EN 1176-6 ed. 2 : 2018



Grass or compacted gravel  
area - 15 m<sup>2</sup>



- material. wood: robinia / oak
- connecting material: galvanized steel
- stainless steel components



Hřiště hrou s.r.o  
Sobotecká 810, Turov  
511 01, Česká republika

(+420) 7 33 141 242  
info@hristehrou.cz  
www.hristehrou.cz

**hřiště  
hrou**