

BIRD'S NEST SWING

HH1C01-003

Age group:
3 - 15 years



Number of users:



Dimensions of construction:

l= 1,20 m

w= 400 m

h= 1,35 m



Risk of fall: 95 cm



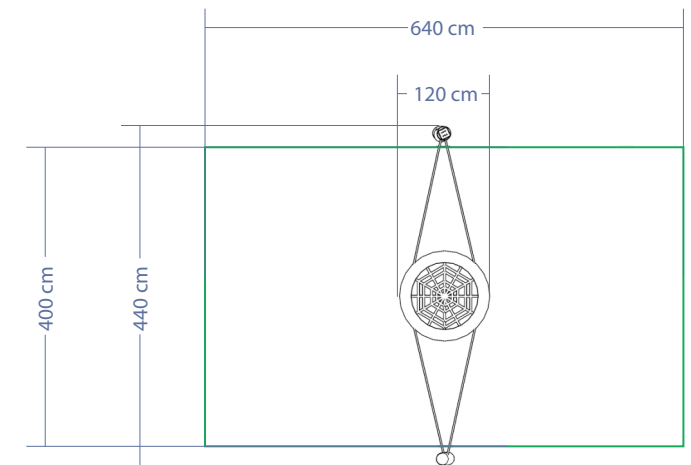
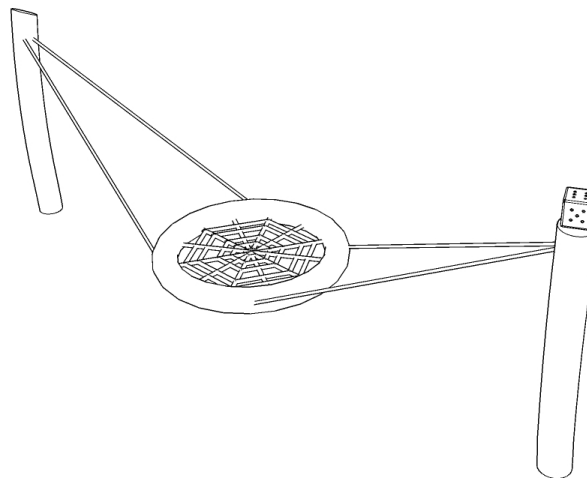
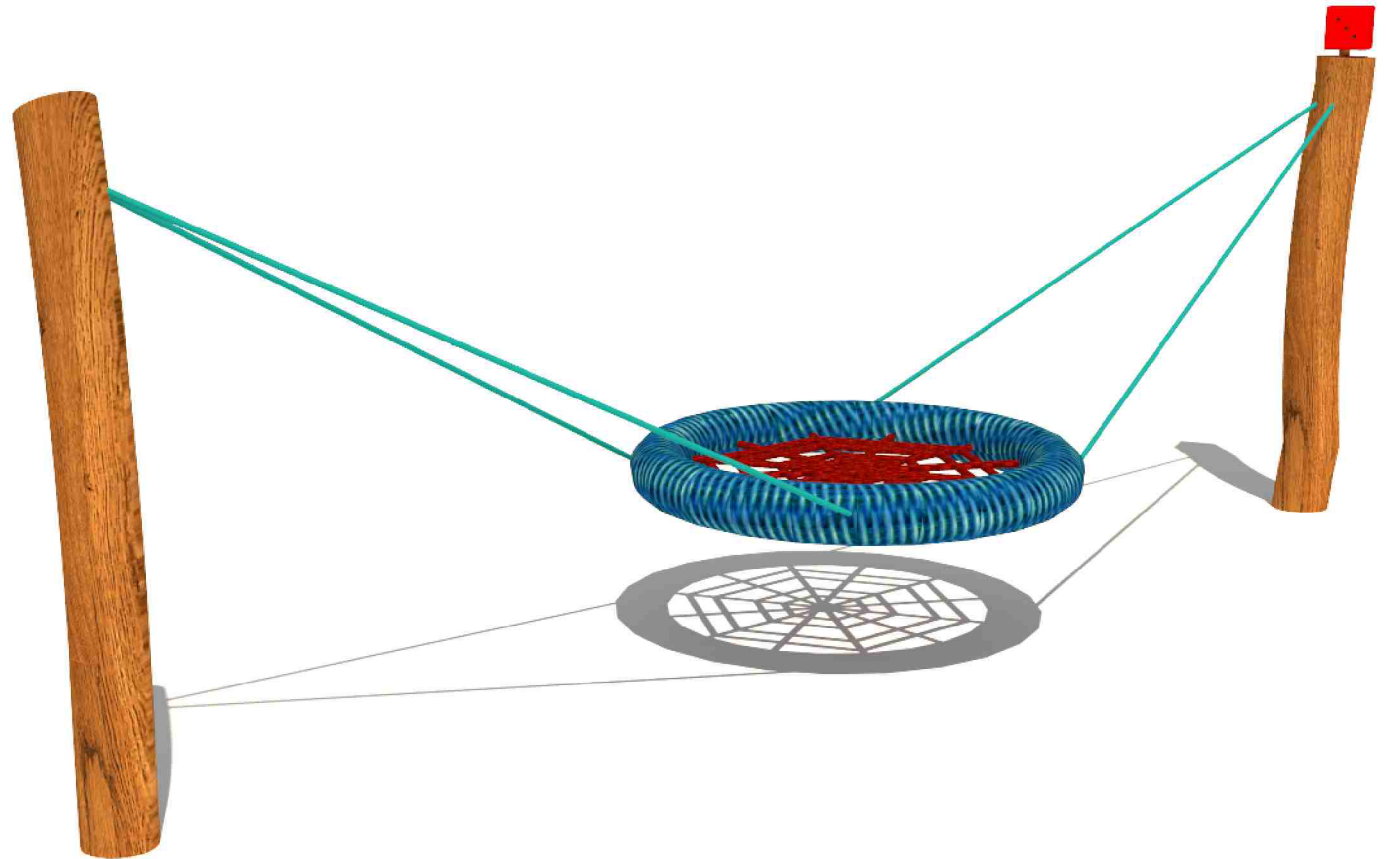
EN 1176-2 ed. 2 : 2018



Grass or compacted gravel
area - 26 m²



- material: wood: robinia / oak
- connecting material: galvanized steel
- stainless steel components
- bird's nest seat



Hřiště hrou s.r.o
Sobotecká 810, Turnov
511 01, Česká republika

(+420) 7 33 141 242
info@hristehrou.cz
www.hristehrou.cz

**hřiště
hrou**