

Crawl Fortress

Boyard

HHI H00-002



Age group:
6 - 15 years



Number of users:



Dimensions of construction:

l= 4,20 m
w= 1,65 m
h= 2,20 m



Risk of fall: 210 cm



EN 1176-1 : 2008



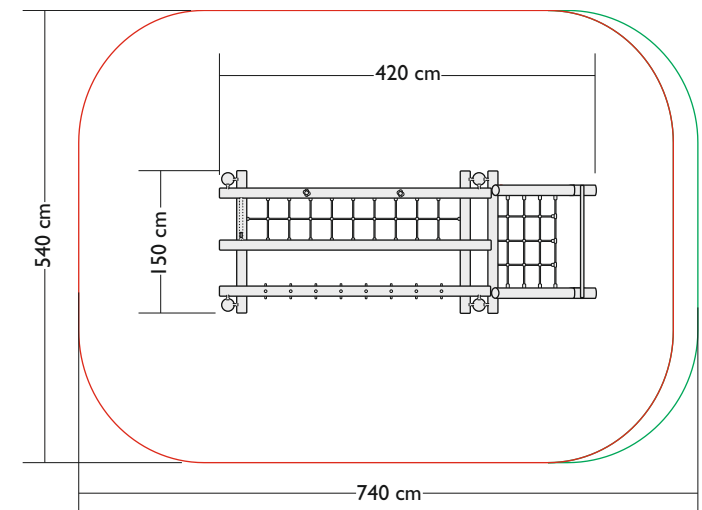
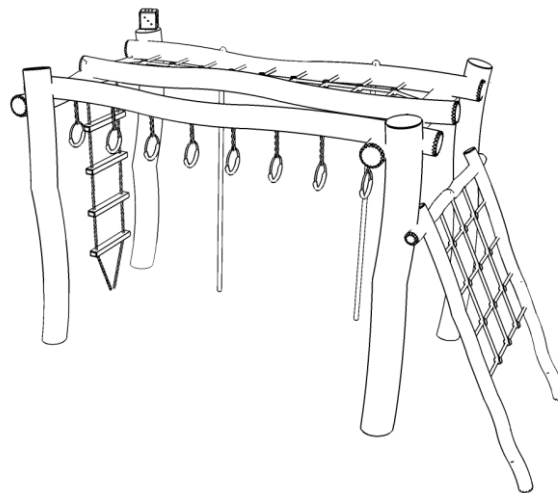
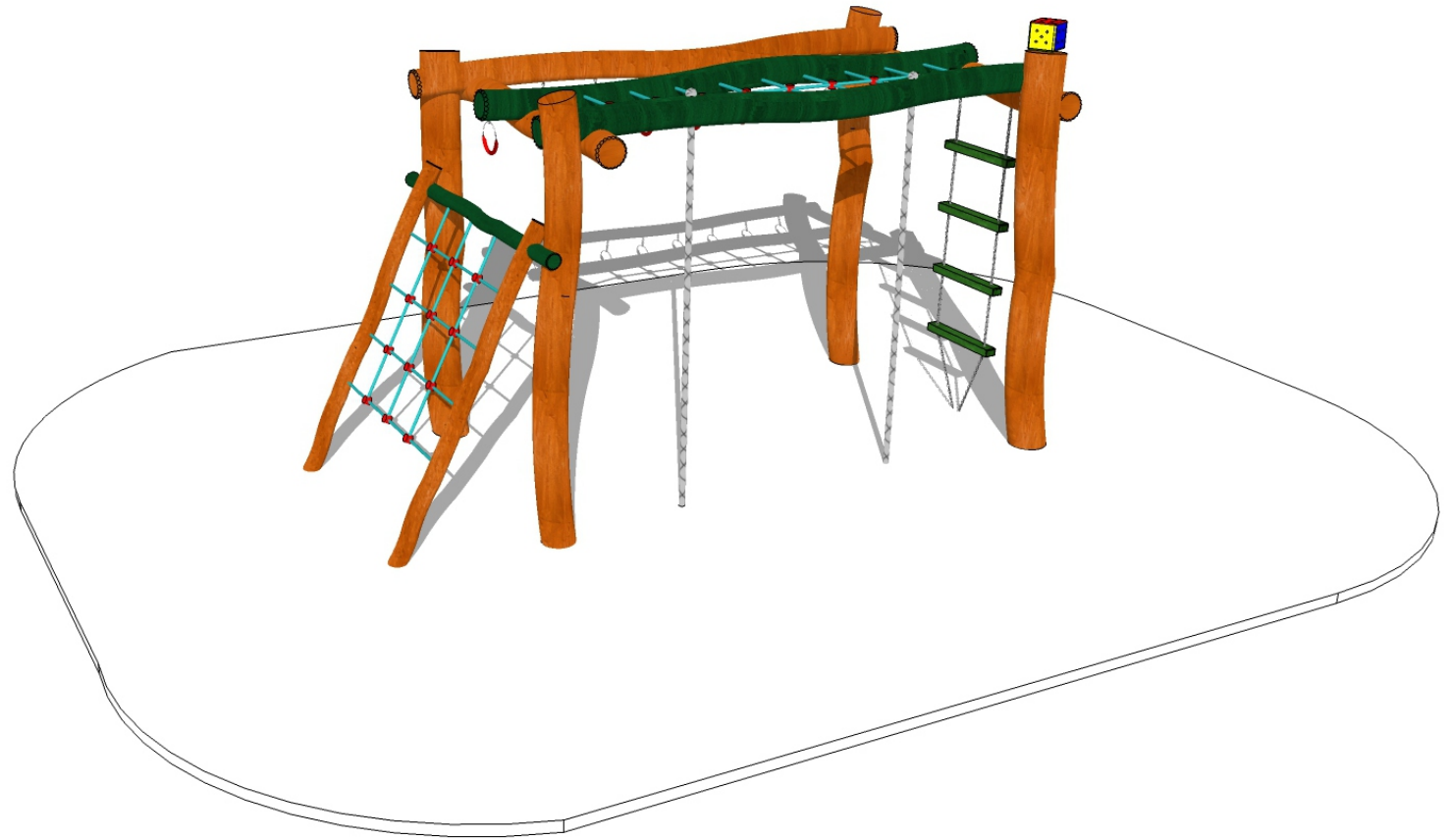
Grass or cultivated
gravel - 3m²



Impact material suitable for
the risk of fall up to 3m -
38m²



- material: wood - Robinia/Oak
- connecting materials: galvanized steel
- nets from ropes with steel core



HŘIŠTĚ HROU s.r.o.

Hřiště hrou s.r.o.
Sobotecká 810, Turnov 511 01, Česká republika
www.hristehrou.cz ; info@hristehrou.cz
tel.: +420 733 141 242 ; IČ 036 73 073