

SET WITH TUBE SLIDE

AT21070033-0-01

Age group:
3 - 15 years



Number of users:



Dimensions of construction:

l= 5,40 m
w= 2,70 m
h= 6,80 m



Risk of fall: 1,60 cm



EN 1176-1 ed. 2 : 2018



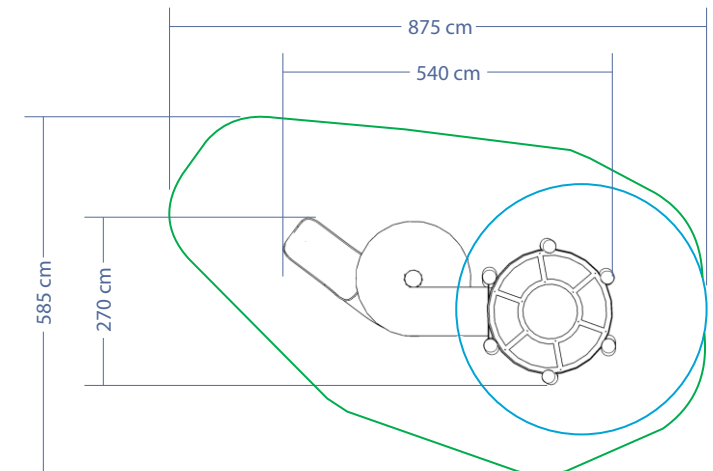
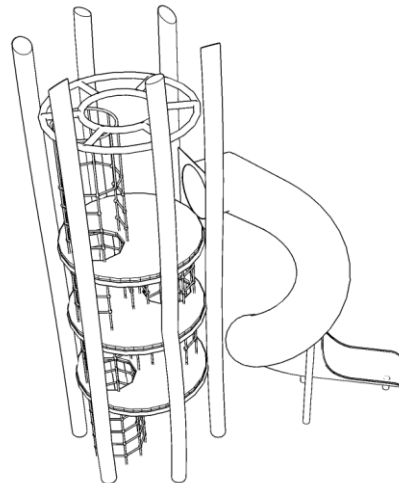
Grass or compacted gravel
area - 24 m²



Impact material suitable for the risk of fall
up to 2m - 13 m²



- ž material: wood: robinia / oak
- ž connecting material: galvanized steel
- ž stainless steel tube slide
- ž PP ropes net with steel core
- ž safety nets
- ž stainless steel construction



Hřiště hrou s.r.o
Sobotecká 810, Turnov
511 01, Česká republika

**hřiště
hrou®**

(+420) 7 33 141 242
info@hristehrou.cz
www.hristehrou.cz