

TECHNICAL DATA:

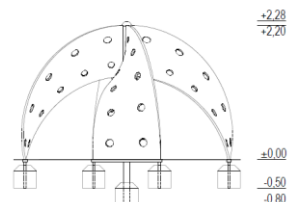
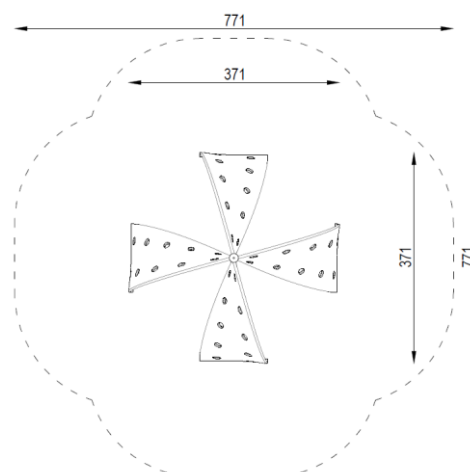
Not easily accessible device,
according to standard EN 1176-1:2017

Device dimensions:	3,71 x 3,71m
Device height:	2,28m
Minimum space:	7,71 x 7,71m
Falling area:	46,53m ²
Critical fall height:	2,20m
Foundations depth:	-0,50 / -0,80m

The device according to EN 1176-1:2017
Playground equipment and surfacing – Part 1:
General safety requirements and test methods.

Safety surfaces:
- sand, gravel, bark, synthetic surface
- minimal thickness for loose particulate materials 300+100mm
- synthetic surface according to critical fall height

Top view with falling area



COMPONENTS:

Construction pole 1 pc
Climbing wall 4 pcs

MATERIALS:

Construction pole: steel profile, galvanized,
powder coated in gray
Climbing wall: rotomolded polypropylene
Caps: plastic
Foundations: concrete min. C12/15 standard



SATERNUS DISTRIBUTION Sp. z o.o. sp.k.
ul. Nowa 32
41-500 Chorzów, Poland

Certificate beholder:
Producer:
Distributor:

GRUPA SATERNUS Sp. z o.o. S. K. A. reserves all rights to protect copyright under the Act of February 4, 1994 on Copyright and Related Rights (Journal of Laws No. 28, pc 83), and in particular Art. 78 and 79 of this Law.

GRUPA SATERNUS Sp. z o.o. S. K. A.
Saternus Production Sp. z o.o. sp. k.
Saternus Distribution Sp. z o.o. sp. k.