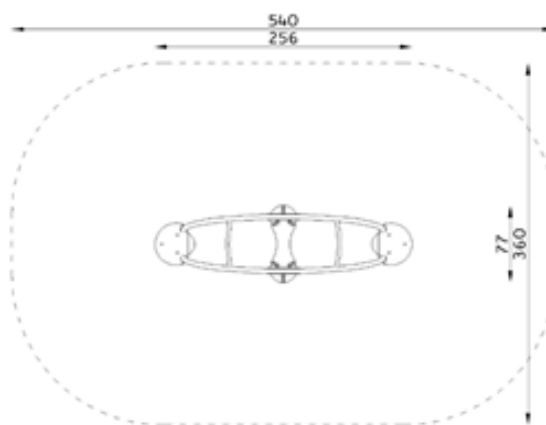




TECHNICAL DATA:

Device dimensions:	2,56m x 0,77m
Device height:	1,40m
Minimum space:	5,40 x 3,60m
Critical fall height:	0,80m
Falling area:	17,52m ²
Depth of foundations:	-0,70m

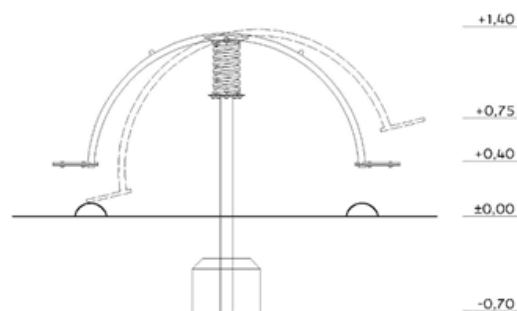
Top view with falling area



The device according to EN 1176-1:2017
Playground equipment and surfacing – Part 1:
General safety requirements and test methods.

Safety surfaces:

- turf/topsoil, sand, gravel, bark, synthetic surface
- minimal thickness for loose particulate materials 200+100mm
- synthetic surface according to critical fall height



MATERIALS:

Construction:	steel pipes, connected by a steel plate, galvanized, powder coated
Movable elements:	steel pipes, connected with a steel plate, steel sheet reinforcement, mounted on springs complying with PN-EN 1176-1: 2009
Seats:	HDPE, with non-slip surface, mounted on a steel sheet base
Caps:	plastic
Foundations:	concrete class min. C12/15



SATERNUS DISTRIBUTION Sp. z o.o. sp.k.
ul. Nowa 32
41500 Chorzów, Poland

Certificate beholder:
Producer:
Distributor:

GRUPA SATERNUS Sp. z o.o. S. K. A. reserves all rights to protect copyright under the Act of February 4, 1994 on Copyright and Related Rights (Journal of Laws No. 28, item 83), and in particular Art. 78 and 79 of this Law.

GRUPA SATERNUS Sp. z o.o. S. K. A.
Saternus Production Sp. z o.o. sp. k.
Saternus Distribution Sp. z o.o. sp. k.