

Climbing Set Big Top HH1H00-009



Age group:
6 - 15 years



Number of users:



Dimension of construction:

l= 2,45 m

w= 2,45 m

h= 3,10 m



Risk of fall: 2,00 cm



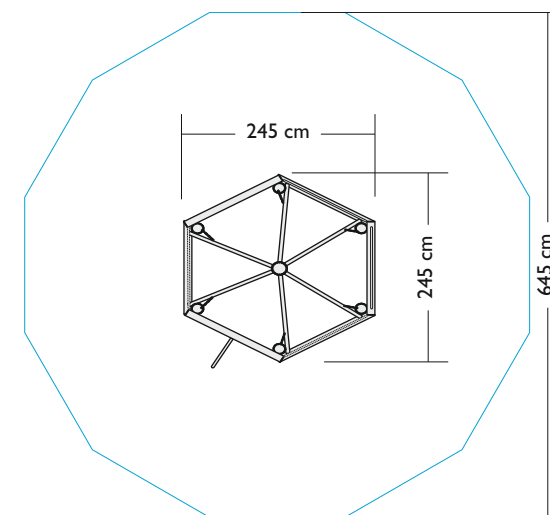
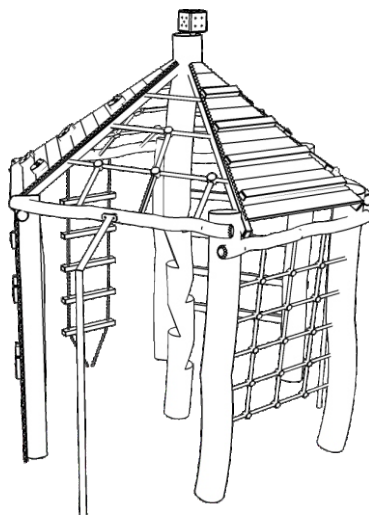
EN 1176-1 : 2008



Impact material suitable for
the risk of fall up to 2m -
33m²



- material: wood - Robinia/Oak
- connecting materials: galvanized steel
- stainless components



HŘIŠTĚ HROU s.r.o.

Hřiště hrou s.r.o.
Sobotecká 810, Turnov 511 01, Česká republika
www.hristehrou.cz ; info@hristehrou.cz
tel.: +420 733 141 242 ; IČ 036 73 073